

Grease Duct Spec

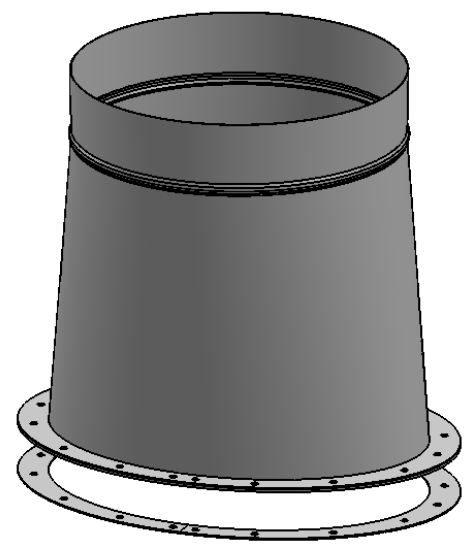
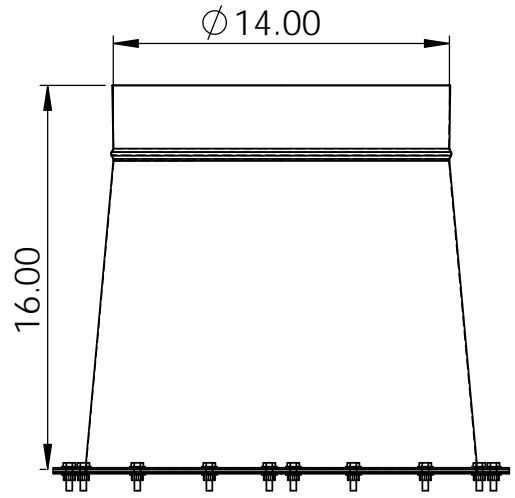
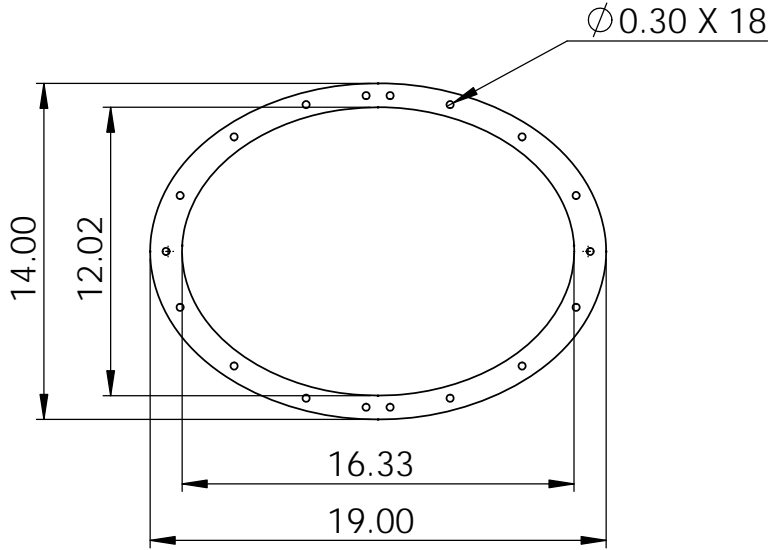
Model:

SW-NAKS-KIT07



Single Wall Conical 14" Vertical

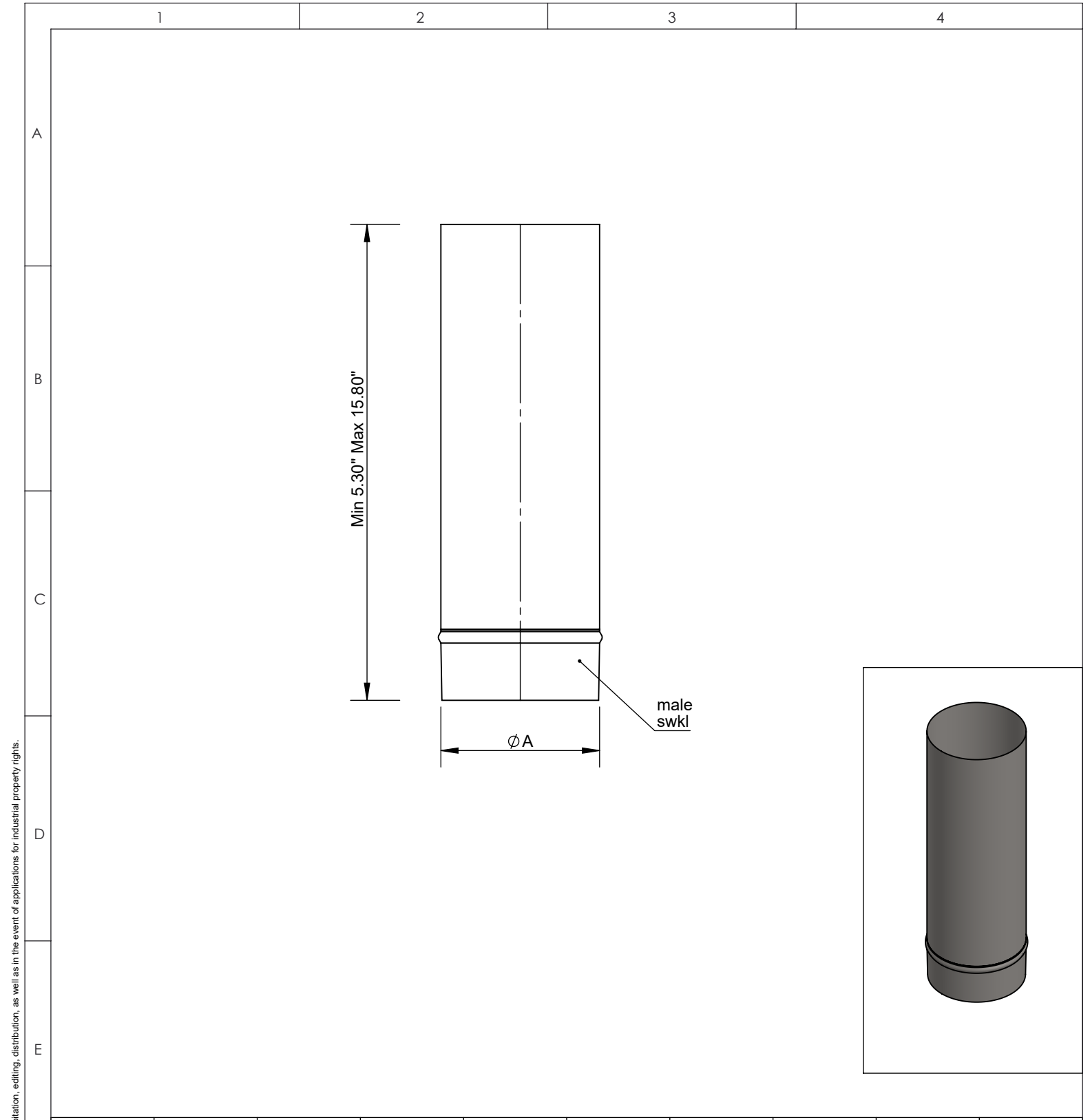


A
B
C
D
E



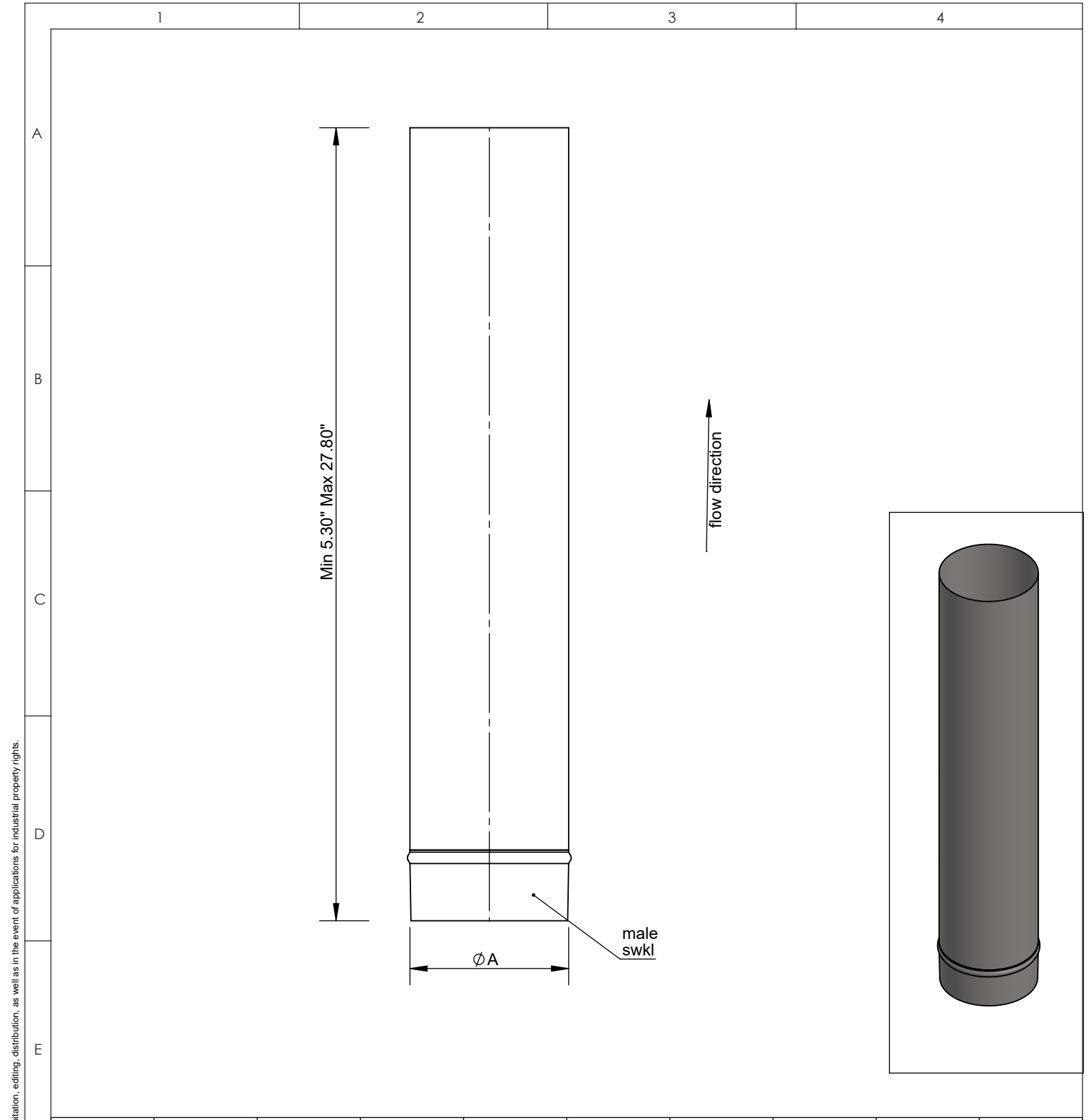
Ø	14	16	18	20	22
A	14	16	18	20	22

material: inside/outside	304	surface: inside/outside	BA	inch / lb			 NORTH AMERICAN KITCHEN SOLUTIONS INCORPORATED	scale
				revisions-no.				format US LETTER
F			date	name	description No-Weld Hood Adapter	code SWNAKS14-NWHA	sheet	
	drawn by							
	checked by							
	approved by							
		modified by			drawing no.			





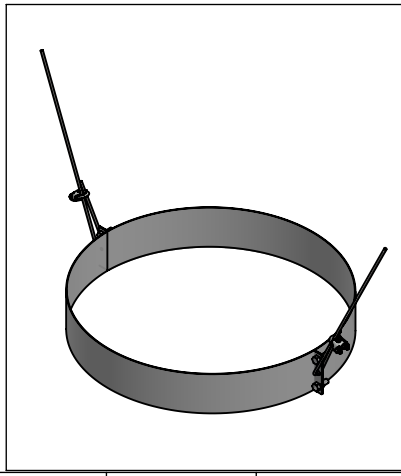
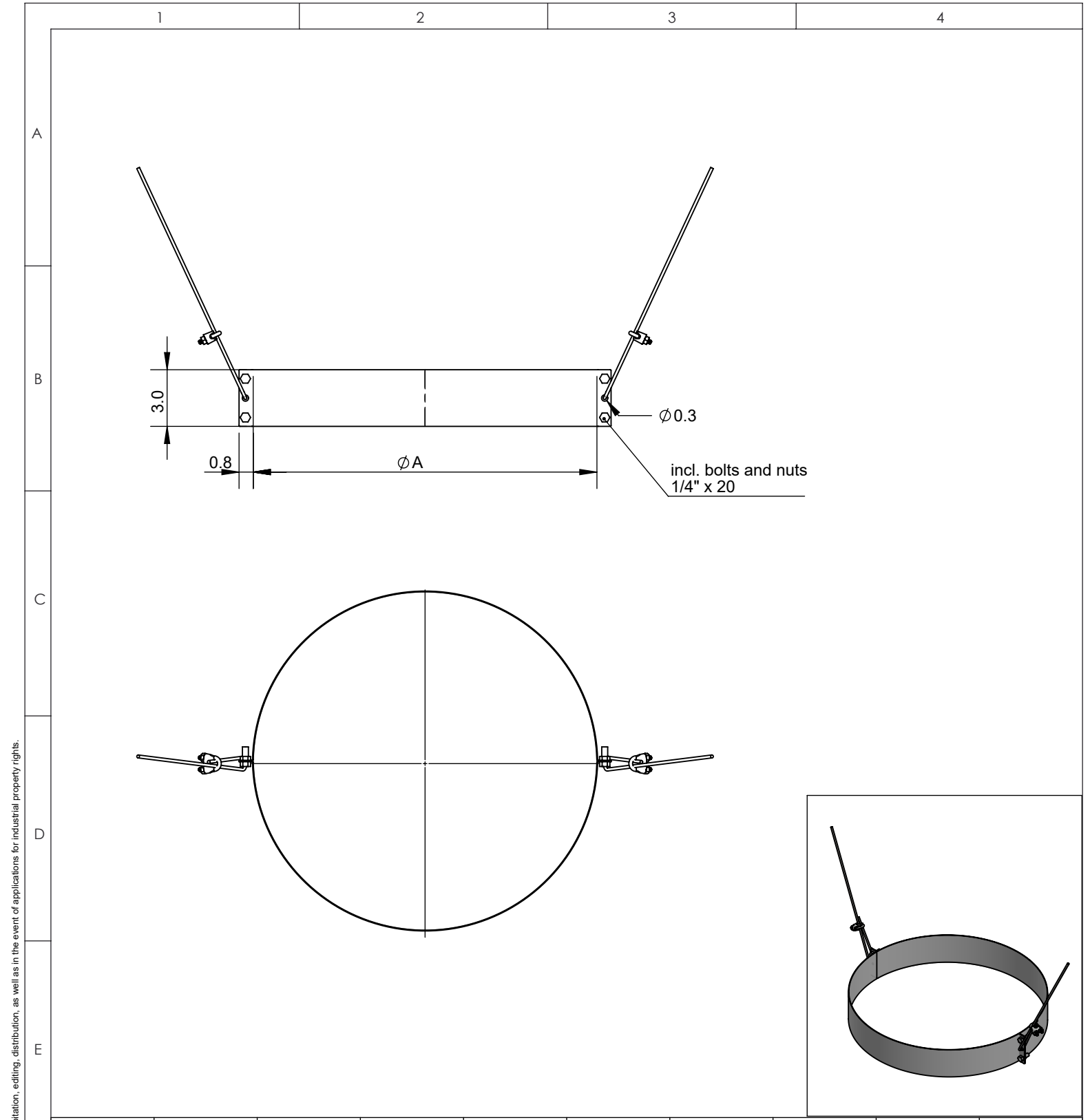
© NAKS Inc. All rights reserved, also regarding any disposal, exploitation, editing, distribution, as well as in the event of applications for industrial property rights.

	Ø	10	11	12	13	14	16	18	20	22	
	A	10	11	12	13	14	16	18	20	22	
F	material: inside/outside	304		surface: inside/outside	BA		<div style="display: flex; align-items: center;"> <div> <p>NORTH AMERICAN KITCHEN SOLUTIONS INCORPORATED</p> </div> </div>				scale
	inch / lb		revisions-no.		A						format
	description		date		name		KAB		18" Cut Length		US LETTER
	drawn by		checked by		approved by		code		SWNAKSØ-18CL		sheet
	modified by		drawing no.								





© NAKS Inc. All rights reserved, also regarding any disposal, exploitation, editing, distribution, as well as in the event of applications for industrial property rights.

	Ø	10	11	12	13	14	16	18	20	22	
	A	10	11	12	13	14	16	18	20	22	
F	material: inside/outside		surface: inside/outside		inch / lb		 NORTH AMERICAN KITCHEN SOLUTIONS INCORPORATED				scale
	304		BA		revisions-no.						format US LETTER
			date	name	description 30" Cut Length				sheet		
			drawn by			code SWNAKSØ-30CL					
			checked by			drawing no.					
		approved by									
		modified by									

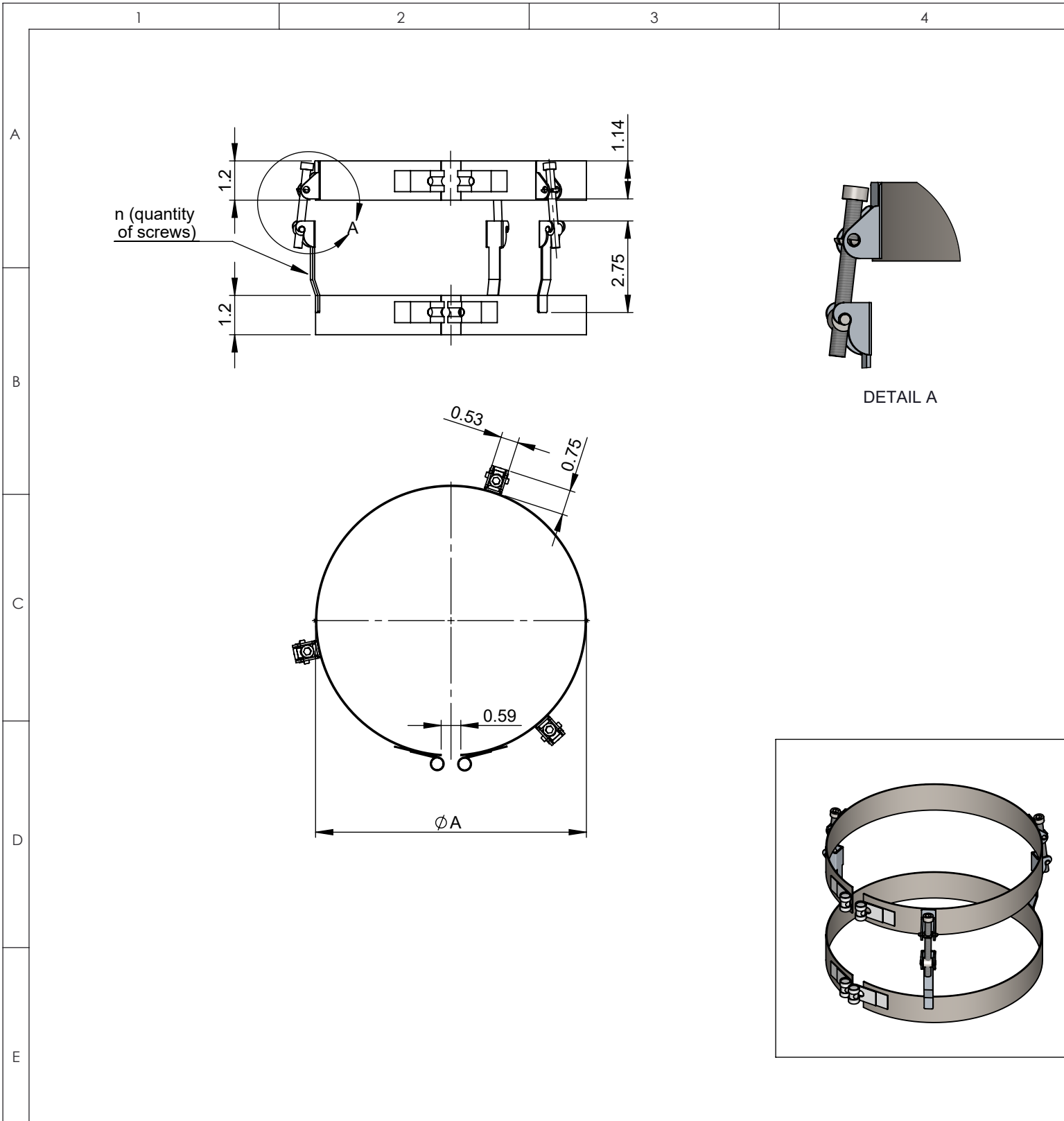


Ø	10	11	12	13	14	16	18	20	22
A	10	11	12	13	14	16	18	20	22

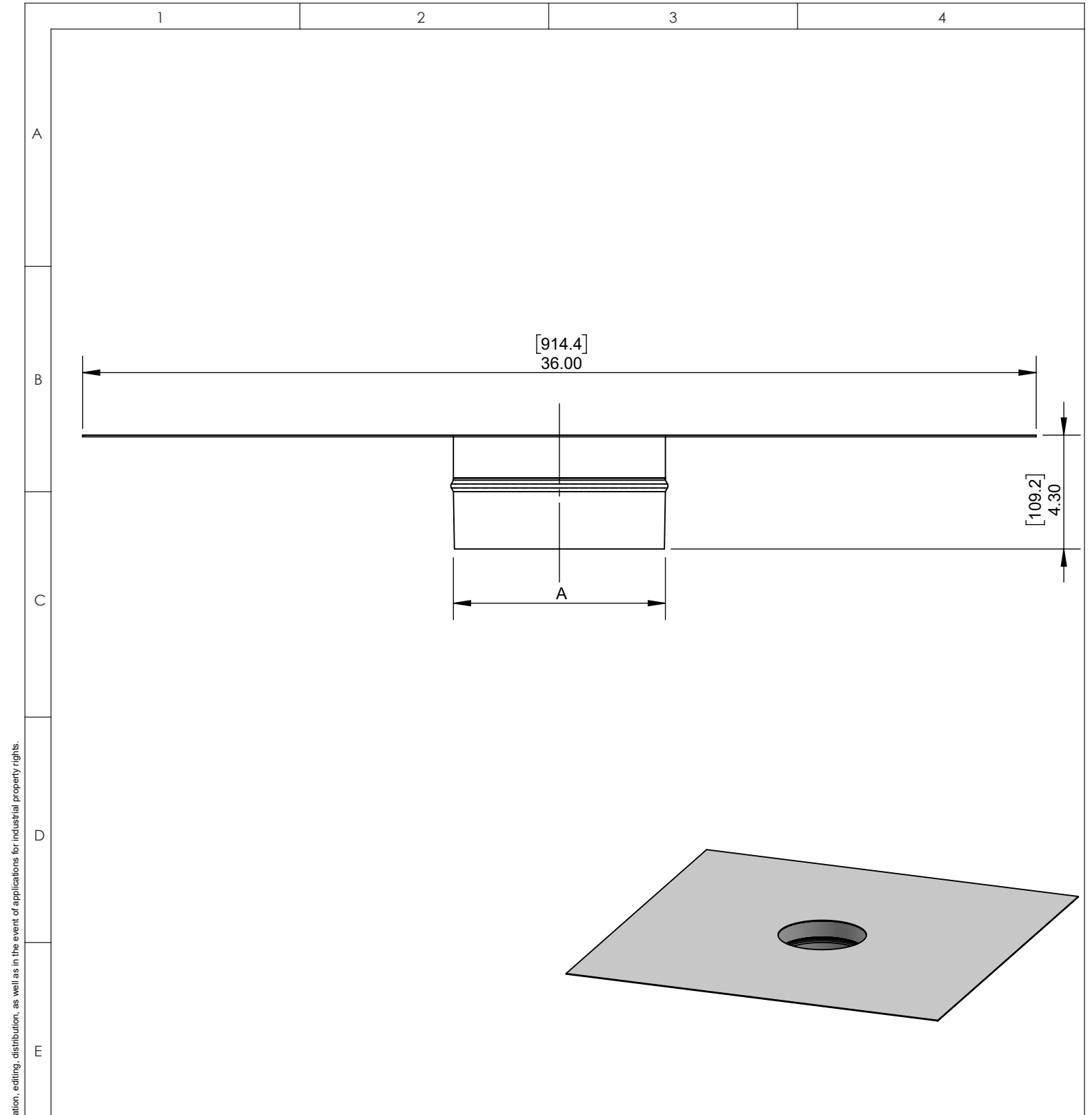
material: inside/outside	304	surface: inside/outside	BA	inch / lb		 NORTH AMERICAN KITCHEN SOLUTIONS INCORPORATED	scale	
				revisions-no.			description Light Support Band	format US LETTER
				date	name			sheet
				drawn by				
				checked by				
approved by			code SWNAKSØ-LSB					
modified by			drawing no.					

© NAKS Inc. All rights reserved, also regarding any disposal, exploitation, editing, distribution, as well as in the event of applications for industrial property rights.



© NAKS Inc. All rights reserved, also regarding any disposal, exploitation, editing, distribution, as well as in the event of applications for industrial property rights.



\emptyset	10	11	12	13	14	16	18	20	22	
A	10	11	12	13	14	16	18	20	22	
material: inside/outside	304	surface: inside/outside	BA	inch / lb						scale
		revisions-no.		A						format
F			date	name	description				KL Clamp	sheet
			drawn by						code	SWNAKSØ-KLC
			checked by							
			approved by							
		modified by						drawing no.		



© NAKS Inc. All rights reserved, also regarding any disposal, exploitation, editing, distribution, as well as in the event of applications for industrial property rights.

	Ø	10	11	12	13	14	16	18	20	22			
	A	10	11	12	13	14	16	18	20	22			
F	material: inside/outside	304		surface: inside/outside	BA		inch / lb				scale		
						revisions-no.				 NORTH AMERICAN KITCHEN SOLUTIONS INCORPORATED			
					date	name	description				format		
					drawn by			Fan Plate Adapter - End				US LETTER	
					checked by			36"x36"				sheet	
				approved by			code	SWNAKSØ-FPE:36x36					
				modified by			drawing no.						